

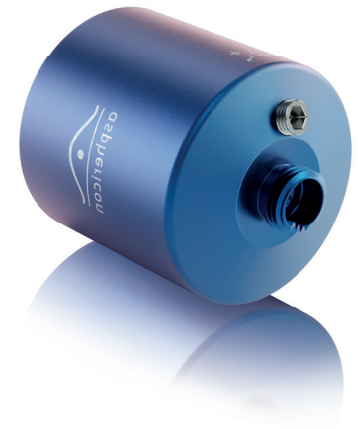
### ACM25-20-L-A-532

The a|AspheriColl is an adjustable fiber collimation device, which enables the perfect connection of FC/PC patch fibers to your set-up. Combine the world's smartest off-the-shelf fiber collimator for NA's up to 0.275 with BeamTuning or other beam shaping elements to obtain any desired output beam while maintaining a diffraction-limited wavefront.

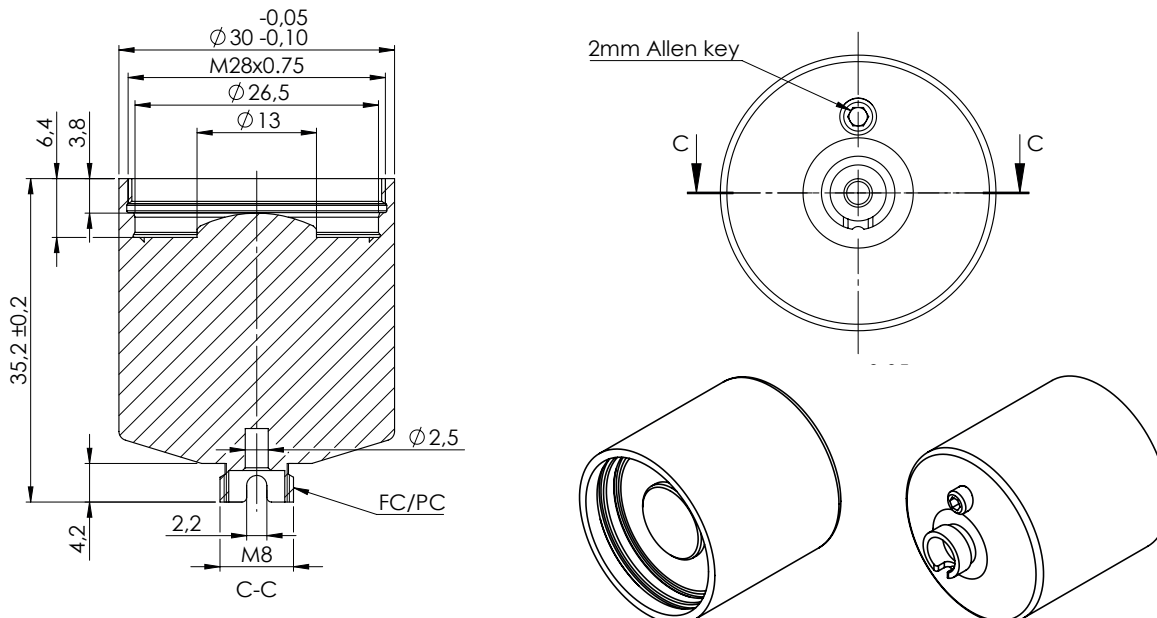
New: The a|AspheriColl is now also available for the UV range. With the design wavelength of 355 nm, it is now also possible to collimate output beams in the wavelength range 350 - 405 nm.

#### Key Benefits:

- = Design wavelength: 532 nm, usable wavelength range: 500 – 620 nm
- = Focal length:  $f = 20$  mm, with  $\varnothing_e = 11.5$  mm
- = Also available design wavelengths [355 nm / 632 nm / 780 nm / 1064 nm]
- = Simplified wavelength adaption by setting adjustment unit with SW2 allen key
- = Completely diffraction-limited performance (Strehl > 0.95) when used with FC/PC patch fibers
- = Thanks to matching adapters also usable for APC fibers
- = No truncation effects compared to other available fiber couplers
- = Thanks to bigger output beam diameters, no additional expansion might be needed (shorter system length)
- = Laser induced damage threshold: 12J/cm<sup>2</sup>, 100Hz, 6ns, 532nm  
For higher laser power applications please request a V-Coating.  
Contact us for an individual offer.



#### Technical Dimensions:



asphericon GmbH  
Stockholmer Str. 9 | 07747 Jena  
Germany

+49 (0) 3641 - 3100 560  
+49 (0) 3641 - 3100 561

asphericon, Inc.  
2601 Cattlemen Road, Suite 301  
Sarasota, FL 34232 | USA

+1 - 941 - 564 0890

asphericon s.r.o.  
Milířská 449 | Jeřmanice 463 12  
Czech Republic

+420 488 100 300

sales@asphericon.com

www.asphericon.com