

WAM25-100-D-A-532

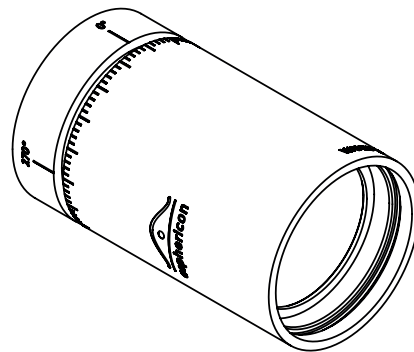
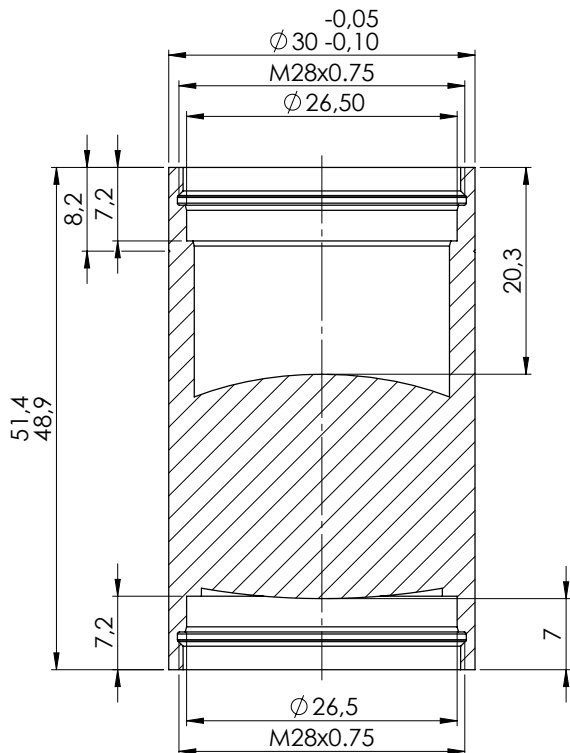
Using an a|BeamExpander at a wavelength, which differs from its design wavelength? No problem with the a|WaveAdapt. It covers the complete spectral range from 500 nm to 1600 nm, corrects wavefront deformation and adjusts divergence while retaining the beam diameter.

Key Benefits:

- = Design wavelength: 532 nm
- = Also available for the a|BeamExpander design wavelengths [632 nm / 780 nm / 1064 nm]
- = Optimized adaptation to wavelength range from 500 nm to 1600 nm
- = Compensation of divergent incoming beams up to 1 mrad
- = Combinable with up to five BeamTuning elements – completely diffraction-limited
- = Preservation of adjusted magnification
- = Easy and flexible handling
- = Laser induced damage threshold: 12J/cm², 100Hz, 6ns, 532nm
*For higher laser power applications please request a V-Coating.
Contact us for an individual offer.*



Technical Dimensions:



asphericon GmbH
Stockholmer Str. 9 | 07747 Jena
Germany

+49 (0) 3641 - 3100 560
+49 (0) 3641 - 3100 561

asphericon, Inc.
2601 Cattlemen Road, Suite 301
Sarasota, FL 34232 | USA

+1 - 941 - 564 0890

asphericon s.r.o.
Milířská 449 | Jeřmanice 463 12
Czech Republic

+420 488 100 300

sales@asphericon.com

www.asphericon.com