

TSM25-10-Q-C-1064

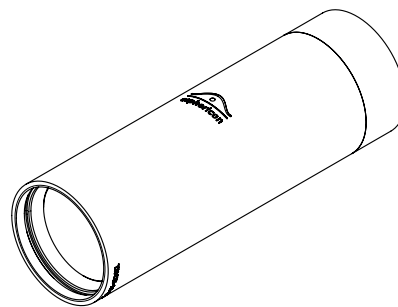
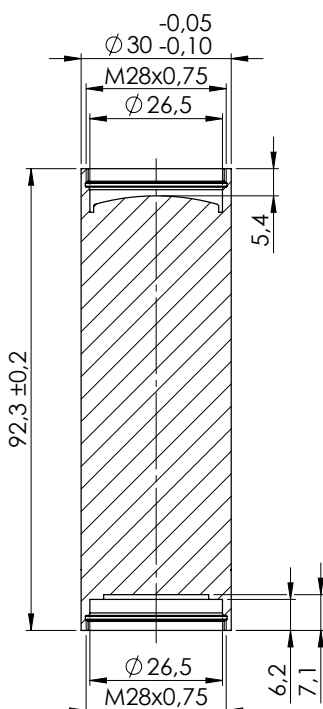
Discover the a|TopShape, an innovative beam shaper, which easily transforms collimated Gaussian beams into collimated Top-Hat beams. This laser device convinces with its very compact design and unbeatable optical performance. Covering a large spectral range, the a|TopShape accepts varying input beam diameter and generates a stable beam profile for at least 300 mm.

Key Benefits:

- = Design wavelength: 1064 nm, usable wavelength range: 1000 - 1600 nm
- = Also available design wavelengths [632 nm / 1064 nm]
- = Unbeatable optical performance (homogeneity > 90%) without any power losses
- = Large spectral range and ideal for multi-wave length applications
- = Accepts varying input beam diameter ($\pm 10\%$)
- = Input beam diameter @ $1/e^2 = 10$ mm;
output beam diameter @ FWHM = 15.4 mm (@ 632 nm)
- = Laser induced damage threshold: 12 J/cm^2 , 100 Hz, 6 ns, 532 nm
*For higher laser power applications please request a V-Coating.
Contact us for an individual offer.*



Technical Dimensions:



asphericon GmbH
Stockholmer Str. 9 | 07747 Jena
Germany

+49 (0) 3641 - 3100 560
+49 (0) 3641 - 3100 561

asphericon s.r.o.
Milířská 449 | Jeřmanice 463 12
Czech Republic

+420 488 100 300

asphericon, Inc.
2601 Cattlemen Road, Suite 301
Sarasota, FL 34232 | USA

+1 - 941 - 564 0890

sales@asphericon.com

www.asphericon.com