

## ASM25-10-D-B-780

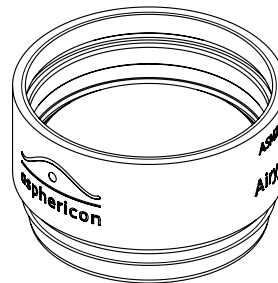
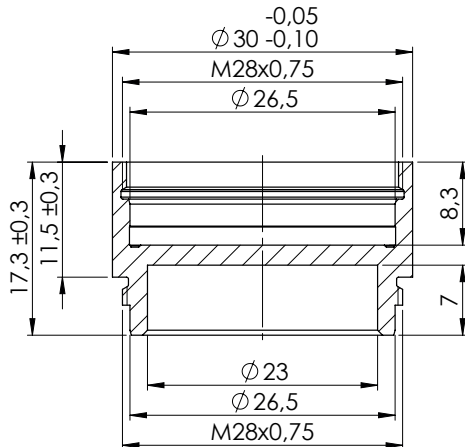
Another beam shaper optimized for wavelengths from 300 nm up to 1600 nm is the a|AiryShape. This beam shaping element enables, in combination with a focusing lens, the transformation of collimated Gaussian beams into different focused beam profiles (e.g. Top-Hat, Donut). Thanks to its compact design, the a|AiryShape can be easily integrated into existing set-ups.

### Key Benefits:

- = Design wavelength: 780 nm, usable wavelength range: 700 - 1050 nm
- = Also available design wavelengths [355 nm / 532 nm / 632 nm / 1064 nm]
- = Generation of different beam profiles (e.g. Top-Hat, Donut, Beam Waist)
- = Profile size easily scalable by focal length
- = Easy integration into existing set-ups
- = Perfect alignment by high-precision mounting
- = Compact design
- = Input beam diameter @  $1/e^2$  = 10 mm; output beam diameter  $d_{\text{Airy}} = 10$  mm
- = Laser induced damage threshold: 12 J/cm<sup>2</sup>, 100 Hz, 6 ns, 532 nm  
For higher laser power applications please request a V-Coating.  
Contact us for an individual offer.



### Technical Dimensions:



asphericon GmbH  
Stockholmer Str. 9 | 07747 Jena  
Germany

+49 (0) 3641 - 3100 560  
+49 (0) 3641 - 3100 561

asphericon s.r.o.  
Milířská 449 | Jeřmanice 463 12  
Czech Republic

+420 488 100 300

asphericon, Inc.  
2601 Cattlemen Road, Suite 301  
Sarasota, FL 34232 | USA

+1 - 941 - 564 0890

sales@asphericon.com

www.asphericon.com