



BAM25-175-D-X-355

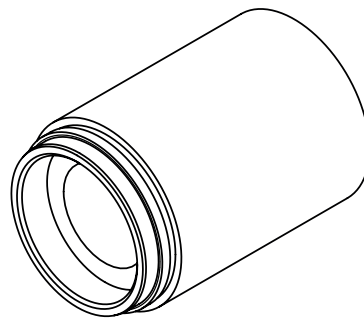
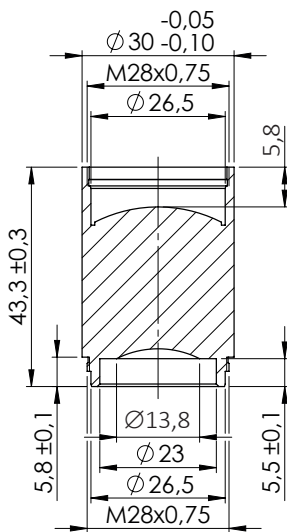
The a|BeamExpander is a monolithic laser accessory with just one aspheric lens for the highest level of precision. Experience nearly endless possibilities with up to 32× beam magnification and optimized performance for different design wavelengths.

Key Benefits:

- = Design wavelength: 355 nm, magnification: 1.75
- = Also available design wavelengths [532 nm / 632 nm / 780 nm / 1064 nm] and magnifications of 1.5 | 2.0
- = Possibility of combining up to five expander for up to 32 times beam expansion and over 230 intermediate stages
- = Completely diffraction-limited – individually measured and guaranteed by an original asphericon certificate
- = Laser induced damage threshold (Coating): 12 J/cm², 100 Hz, 6 ns, 532 nm
Like all BeamTuning elements all a|BeamExpander come with a broadband coating. For higher laser power applications please request a V-Coating. Contact us for an individual offer. Please note the material damage threshold of your set-up!



Technical Dimensions:



asphericon GmbH
 Stockholmer Str. 9 | 07747 Jena
 Germany

+49 (0) 3641 - 3100 560
 +49 (0) 3641 - 3100 561

asphericon, Inc.
 2601 Cattlemen Road, Suite 301
 Sarasota, FL 34232 | USA

+1 - 941 - 564 0890

asphericon s.r.o.
 Milířská 449 | Jeřmanice 463 12
 Czech Republic

+420 488 100 300

sales@asphericon.com

www.asphericon.com