

## TSM25-10-LD-D-405

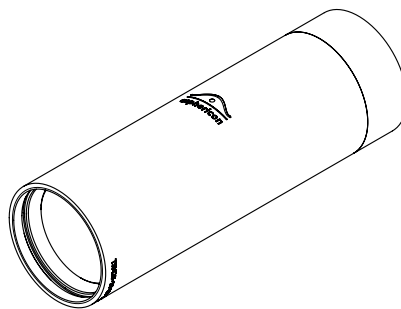
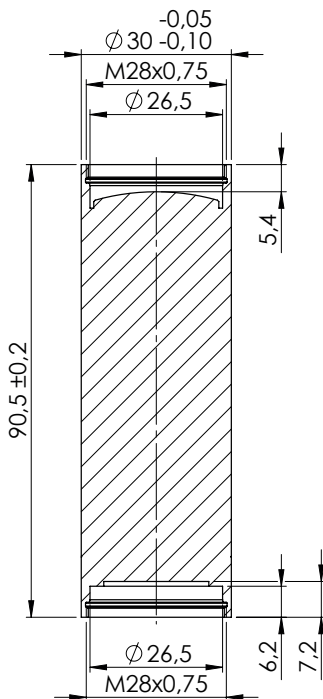
The a|TopShape LongDistance is an innovative beam shaper that converts collimated Gaussian beams into collimated Top-Hat beams while guaranteeing stable beam profiles up to a working distance of at least 1 m. Since the effective working distance decreases with subsequent beam size reduction, using the a|TopShape LD is recommended if an application calls for smaller beam diameter.

### Key Benefits:

- = Design wavelength: 405 nm, usable wavelength range: 375 - 445 nm
- = Also available design wavelengths [355 nm / 532 nm / 780 nm / 1064 nm]
- = Unbeatable optical performance (homogeneity > 90%) without any power losses
- = Large spectral range and ideal for multi-wavelength applications
- = Accepts varying input beam diameter ( $\pm 10\%$ )
- = Input beam diameter @  $1/e^2 = 10$  mm;  
output beam diameter @ FWHM = 15.4 mm
- = Laser induced damage threshold: 12 J/cm<sup>2</sup>, 100 Hz, 6 ns, 532 nm  
*For higher laser power applications please request a V-Coating.*  
*Contact us for an individual offer.*



### Technical Dimensions:



asphericon GmbH  
Stockholmer Str. 9 | 07747 Jena  
Germany

+49 (0) 3641 - 3100 560  
+49 (0) 3641 - 3100 561

asphericon, Inc.  
2601 Cattlemen Road, Suite 301  
Sarasota, FL 34232 | USA

+1 - 941 - 564 0890

asphericon s.r.o.  
Milířská 449 | Jeřmanice 463 12  
Czech Republic

+420 488 100 300

sales@asphericon.com

www.asphericon.com