



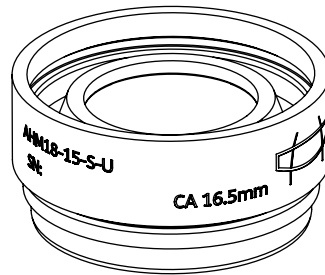
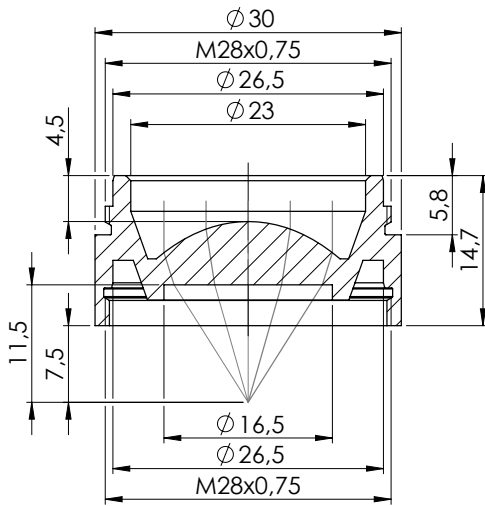
### AHM18-15

Order the High-NA asphere AHL18-15 as mounted lens and benefit from a perfectly aligned asphere.

#### Key Benefits:

- = Thread: M28 x 0.75
- = Modular design for high compatibility to common optical systems
- = Clearly labeled specifications on mount for comfortable handling
- = Available with 4 standard coatings

#### Technical Dimensions:



asphericon GmbH  
 Stockholmer Str. 9 | 07747 Jena  
 Germany

+49 (0) 3641 - 3100 560  
 +49 (0) 3641 - 3100 561

asphericon, Inc.  
 2601 Cattlemen Road, Suite 301  
 Sarasota, FL 34232 | USA

+1 - 941 - 564 0890

asphericon s.r.o.  
 Milířská 449 | Jeřmanice 463 12  
 Czech Republic

+420 488 100 300

sales@asphericon.com

www.asphericon.com